

ANCHORLIFT[®]

WORLD CLASS WINDLASS SYSTEM

Dolphin 1000

HIGH SPEED
WINDLASS

Boats 32ft to 45ft. 10m to 13,5m.

D1012
D1012C
DA1012
DA1012C



Dolphin 1000

Design for boats 10m to 13,5m 32ft to 45ft

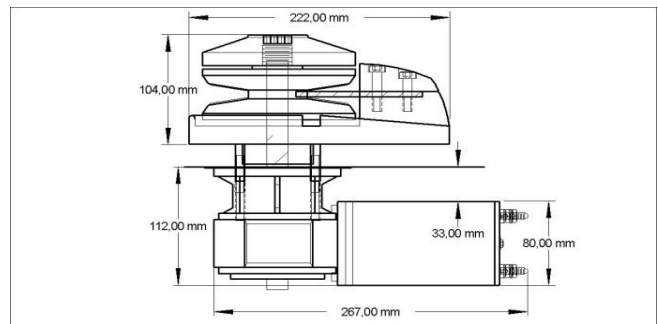
Boat weight up to 8000kg / 17600lbs

Max chain size: 8mm - 5/16" length 50m - 165ft

Max anchor weight 15kg -35lbs (depending on type)

Max ground tackle weight in total: 90kg - 200lbs

Max ground tackle weight 30% of max working load.
weight chain , rope and anchor in total.



Motor: 1000w 12v

Speed Down: Approx 35m / 115ft min

Speed Up: With normal load 8mm chain approx 23m/75ft min. Rope/chain combo: approx 21m /70 ft min.

Amp draw down: 25amp

Amp draw up: With normal load 8mm chain approx 55amp. Rope/chain combo. approx 45amp.

Most used chain length 8mm 5/16": 30 to 50m.

Most used rope chain combos:

DB5/8-150 165ft / 50m, DB5/8-200 215ft / 65m, DB5/8-250 / 265ft / 80m

Anchors: 10kg / 22lbs to 15kg / 35lbs

Circuit breaker: 1000w 100amp (Partno.90100)

Cable size: 35mm² / 2AWG (Normal cable length)

Switch gear: Toggle switch 90800, Rocker switch panel 90801, Footswitch 90900, Radio remote 91354,
Combo switch pack 92100.

Deck thickness: 25mm to 50mm / 1" to 2" (Up to 65mm - 2,5" with longer bolts)



ANCHORLIFT[®]
WORLD CLASS WINDLASS SYSTEM

Anchorlift USA Inc. 12550 73St Court Largo 33773 Florida USA
Email: salesusa@anchorlift.com